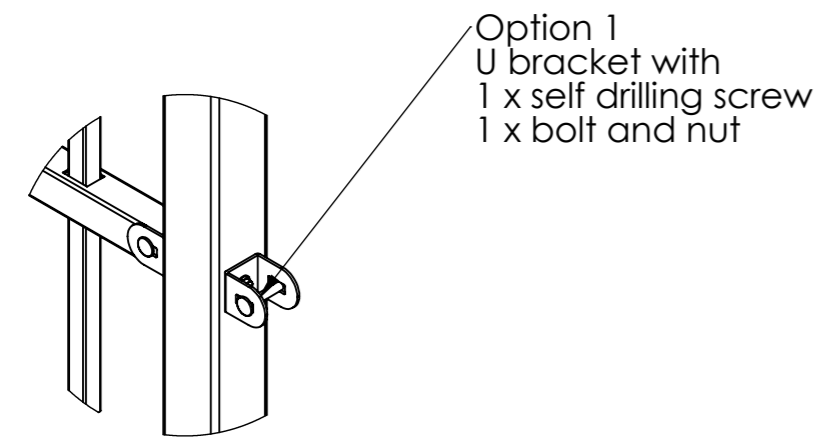
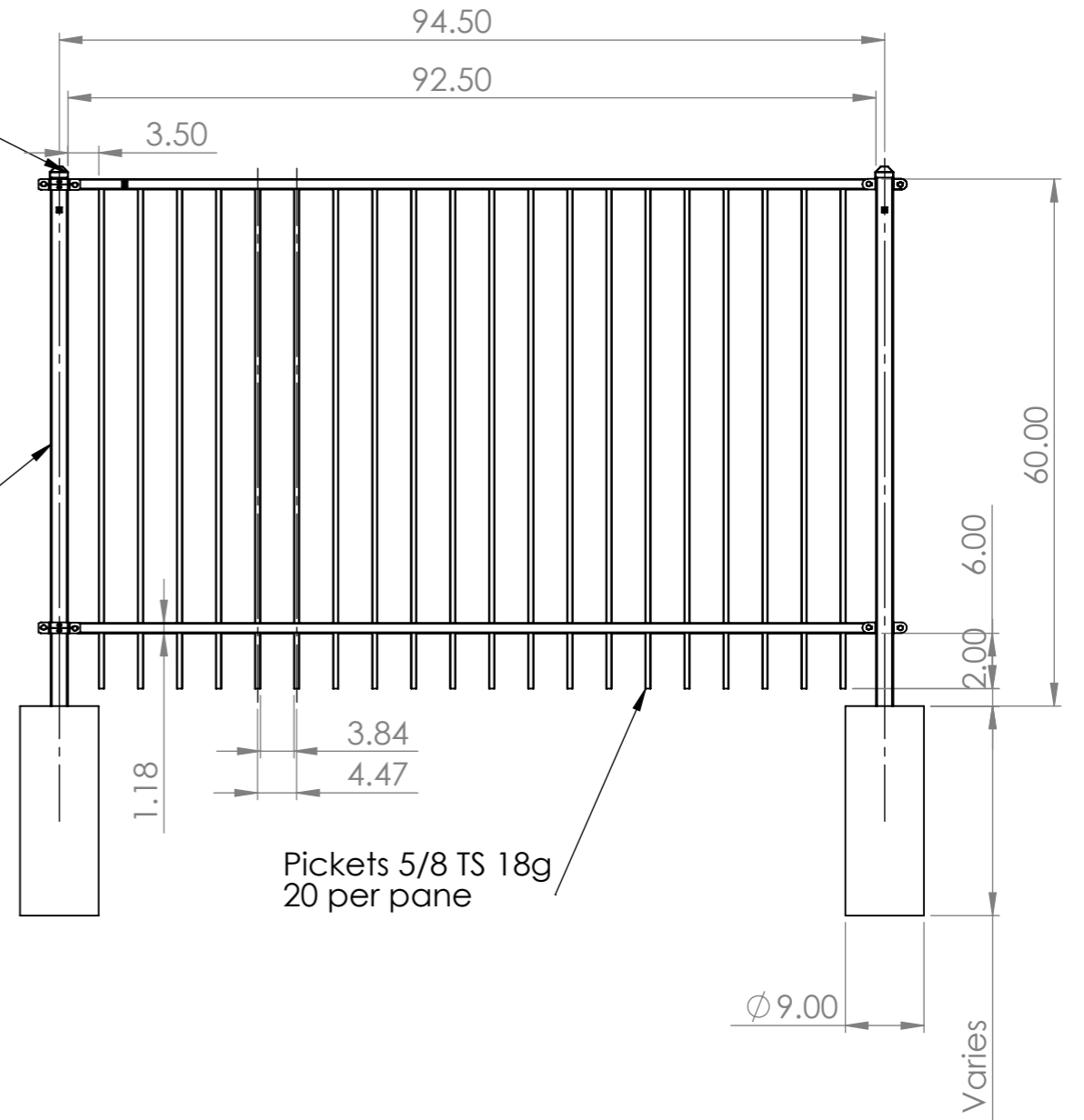
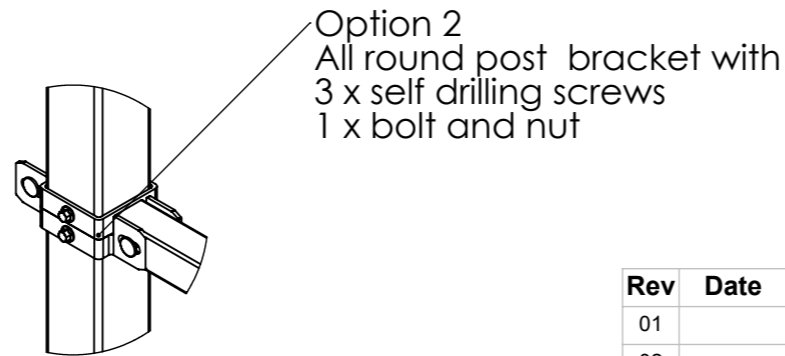


Press on cap

2" TS post 14g



Option 1
U bracket with
1 x self drilling screw
1 x bolt and nut



Option 2
All round post bracket with
3 x self drilling screws
1 x bolt and nut

DETAIL A
SCALE 1 : 5

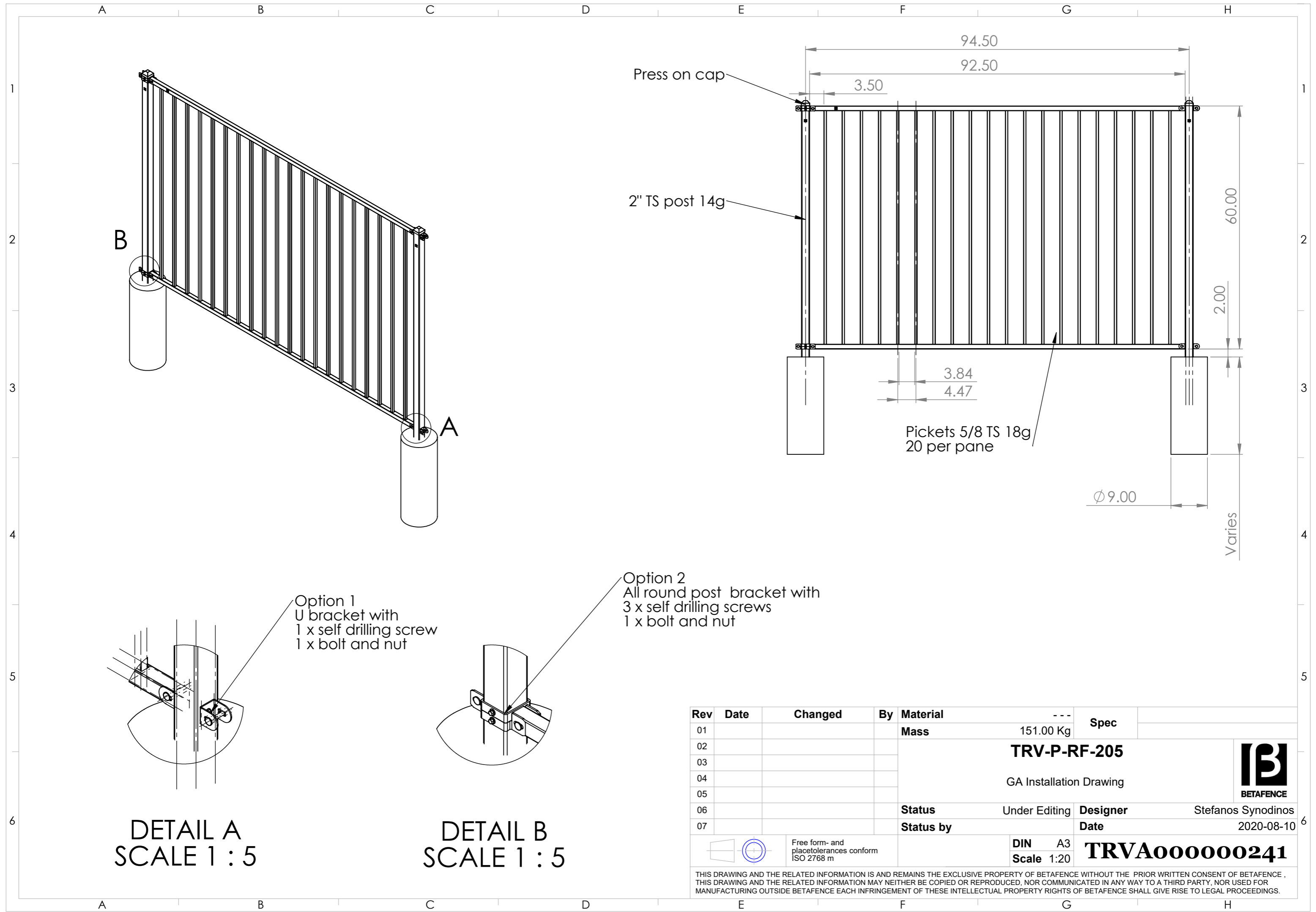
DETAIL B
SCALE 1 : 5

Rev	Date	Changed	By	Material	Spec
01				Mass	150.72 Kg
02					TRV-P-RL-205
03					
04					
05					
06				Status	Under Editing
07				Status by	Designer
					Date
					Stefanos Synodinos
					2020-08-10
				DIN A3	A000000242
				Scale 1:20	



Free form- and
placetolerances conform
ISO 2768 m

THIS DRAWING AND THE RELATED INFORMATION IS AND REMAINS THE EXCLUSIVE PROPERTY OF BETAFENCE. THIS DRAWING AND THE RELATED INFORMATION MAY NEITHER BE COPIED OR REPRODUCED, NOR COMMUNICATED IN ANY WAY TO A THIRD PARTY, NOR USED FOR MANUFACTURING OUTSIDE BETAFENCE. EACH INFRINGEMENT OF THESE INTELLECTUAL PROPERTY RIGHTS OF BETAFENCE SHALL GIVE RISE TO LEGAL PROCEEDINGS.



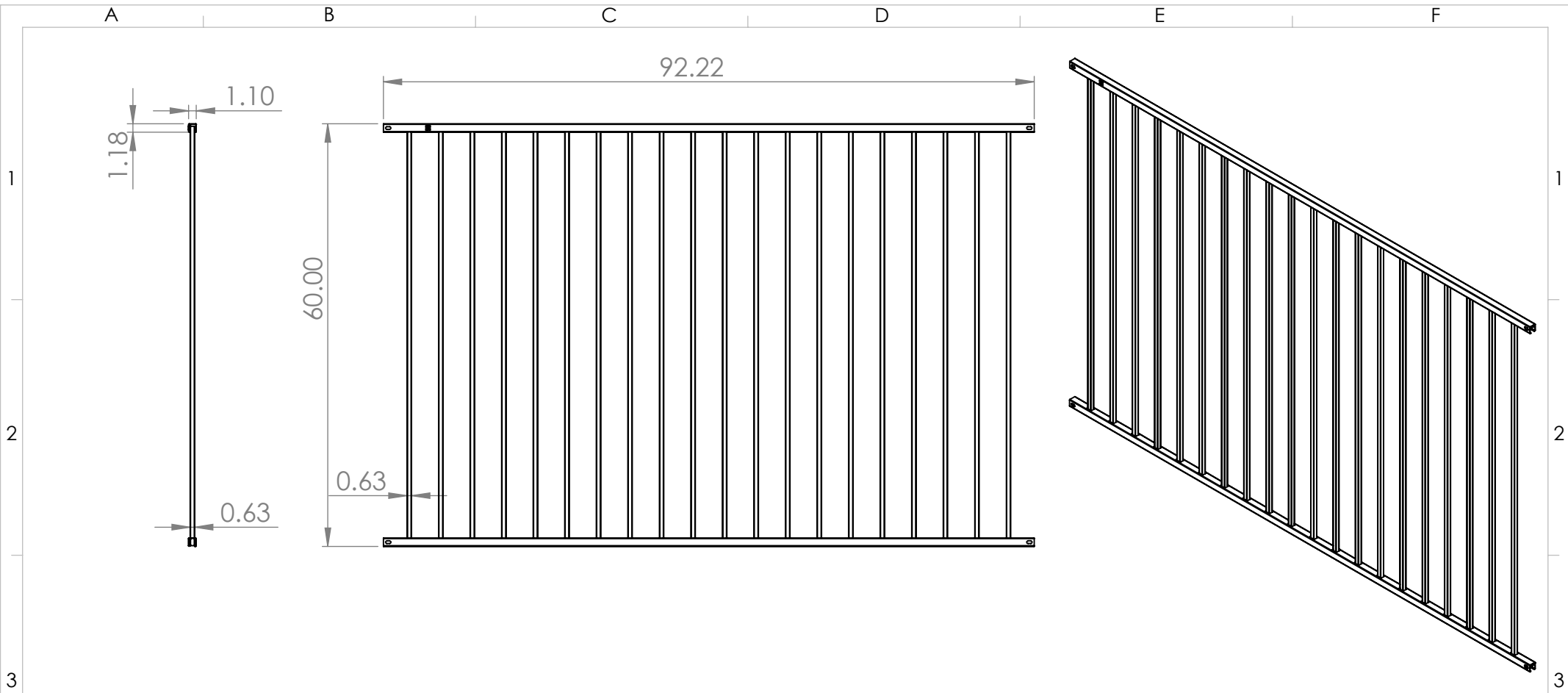
DETAIL A
SCALE 1 : 5

DETAIL B
SCALE 1 : 5

Rev	Date	Changed	By	Material	---	Spec
01				Mass	151.00 Kg	
02				TRV-P-RF-205 GA Installation Drawing		
03						
04						
05						
06				Status	Under Editing	Designer
07				Status by		Date
				DIN	A3	TRVA000000241
				Scale	1:20	



THIS DRAWING AND THE RELATED INFORMATION IS AND REMAINS THE EXCLUSIVE PROPERTY OF BETAFENCE WITHOUT THE PRIOR WRITTEN CONSENT OF BETAFENCE. THIS DRAWING AND THE RELATED INFORMATION MAY NEITHER BE COPIED OR REPRODUCED, NOR COMMUNICATED IN ANY WAY TO A THIRD PARTY, NOR USED FOR MANUFACTURING OUTSIDE BETAFENCE EACH INFRINGEMENT OF THESE INTELLECTUAL PROPERTY RIGHTS OF BETAFENCE SHALL GIVE RISE TO LEGAL PROCEEDINGS.



Rail: 1"-7/64 x 1"-3/16 x 1/16
 Picket: 5/8 x 5/8 x 3/64
 Distance between pickets: 3" 27/32
 Pickets extend the from bottom rail: 0
 Number of Pickets: 20
 All dimensions are in inches

Rev	Date	Changed	By	Material	---	Spec
01				Mass	19.70 Kg	
02						
03						
04						
05						
06				Status		Designer Stefanos Synodinos
07				Status by		Date 2020-01-22
				Free form- and placetolerances conform ISO 2768 m	DIN A4 Scale 1:20	A000000233
THIS DRAWING AND THE RELATED INFORMATION IS AND REMAINS THE EXCLUSIVE PROPERTY OF BETA FENCE WITHOUT THE PRIOR WRITTEN CONSENT OF BETA FENCE . THIS DRAWING AND THE RELATED INFORMATION MAY NEITHER BE COPIED OR REPRODUCED, NOR COMMUNICATED IN ANY WAY TO A THIRD PARTY, NOR USED FOR MANUFACTURING OUTSIDE BETA FENCE EACH INFRINGEMENT OF THESE INTELLECTUAL PROPERTY RIGHTS OF BETA FENCE SHALL GIVE RISE TO LEGAL PROCEEDINGS.						

