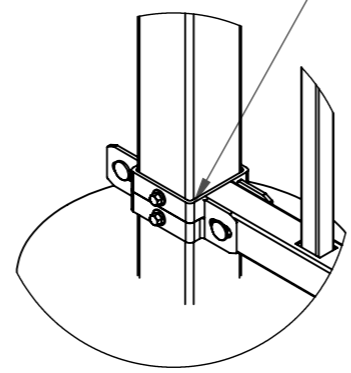
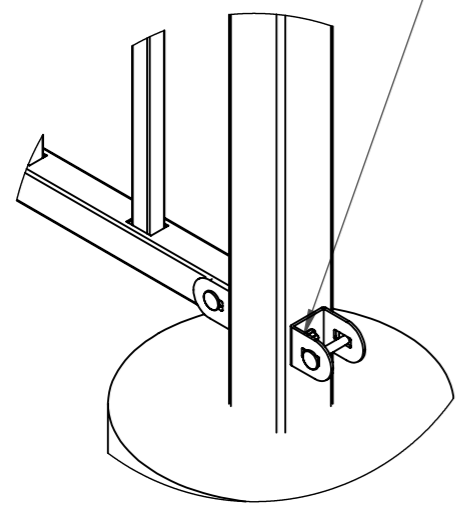


Option 1  
U bracket with  
1 x self drilling screw  
1 x bolt and nut

Option 2  
All round post bracket with  
3 x self drilling screws  
1 x bolt and nut



DETAIL A  
SCALE 1 : 5

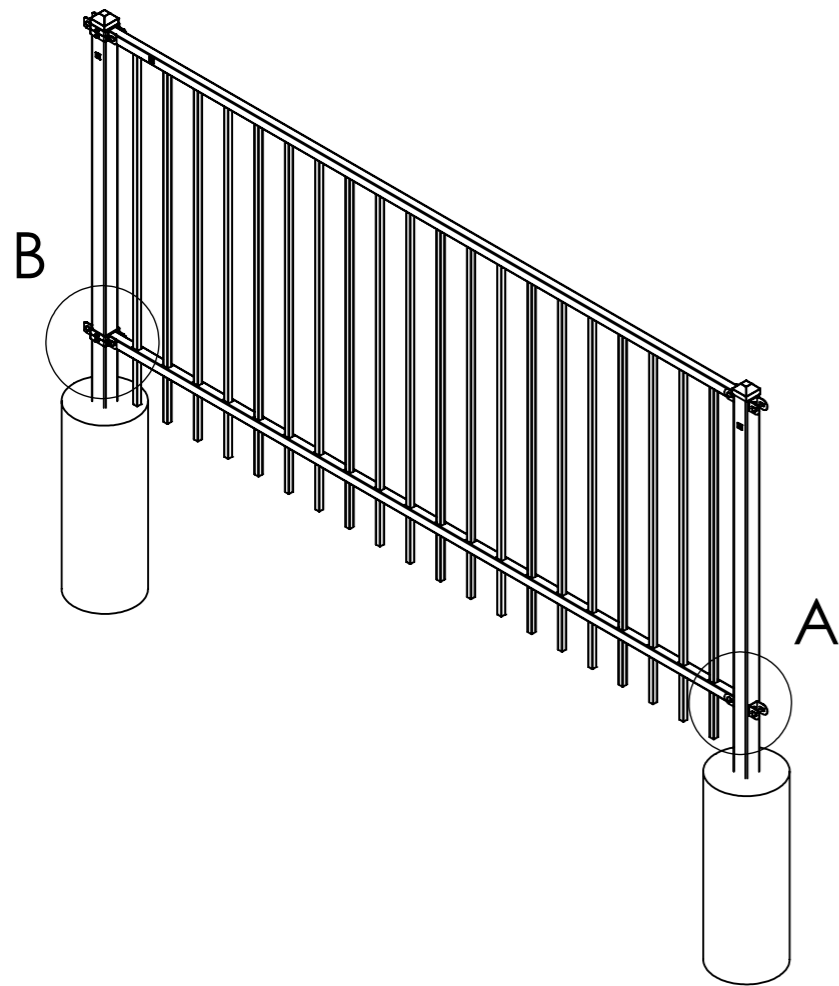
DETAIL B  
SCALE 1 : 5

All dimensions are in inches

Rev	Date	Changed	By	Material	Spec
01				Mass	148.11 Kg
02					<b>TRV-P-RF-204</b> GA Installation Drawing
03					
04					
05					
06				Status	Designer
07				Status by	Date
				Free form- and placetolerances conform ISO 2768 m	DIN A3 Scale 1:20
<b>A000000208</b>					

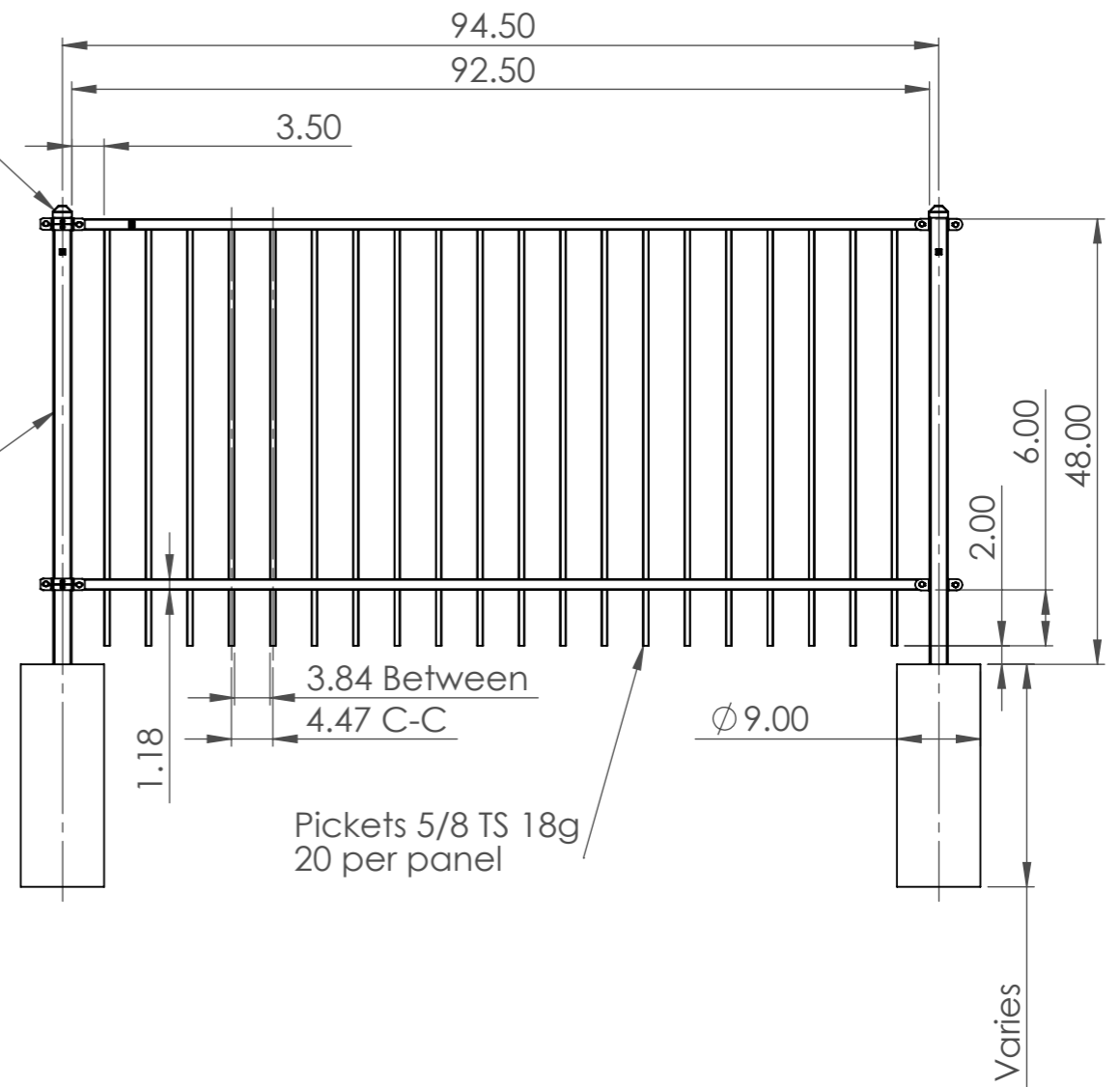


THIS DRAWING AND THE RELATED INFORMATION IS AND REMAINS THE EXCLUSIVE PROPERTY OF BETAFENCE WITHOUT THE PRIOR WRITTEN CONSENT OF BETAFENCE. THIS DRAWING AND THE RELATED INFORMATION MAY NEITHER BE COPIED OR REPRODUCED, NOR COMMUNICATED IN ANY WAY TO A THIRD PARTY, NOR USED FOR MANUFACTURING OUTSIDE BETAFENCE EACH INFRINGEMENT OF THESE INTELLECTUAL PROPERTY RIGHTS OF BETAFENCE SHALL GIVE RISE TO LEGAL PROCEEDINGS.



Press on cap

2" TS post 14g

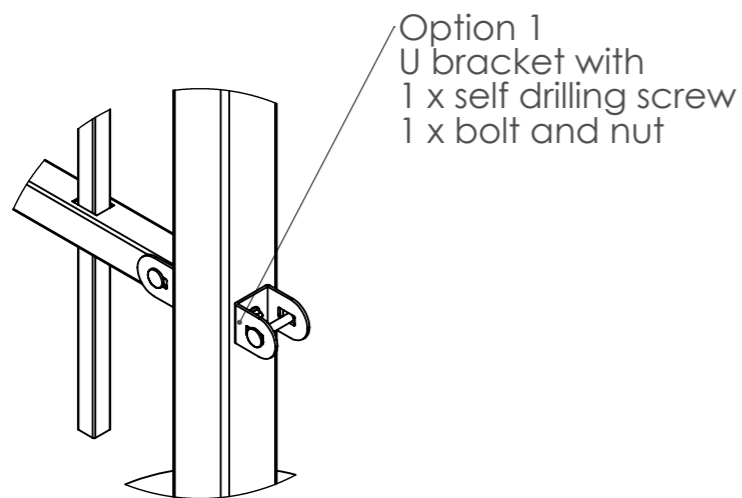


3.84 Between  
4.47 C-C

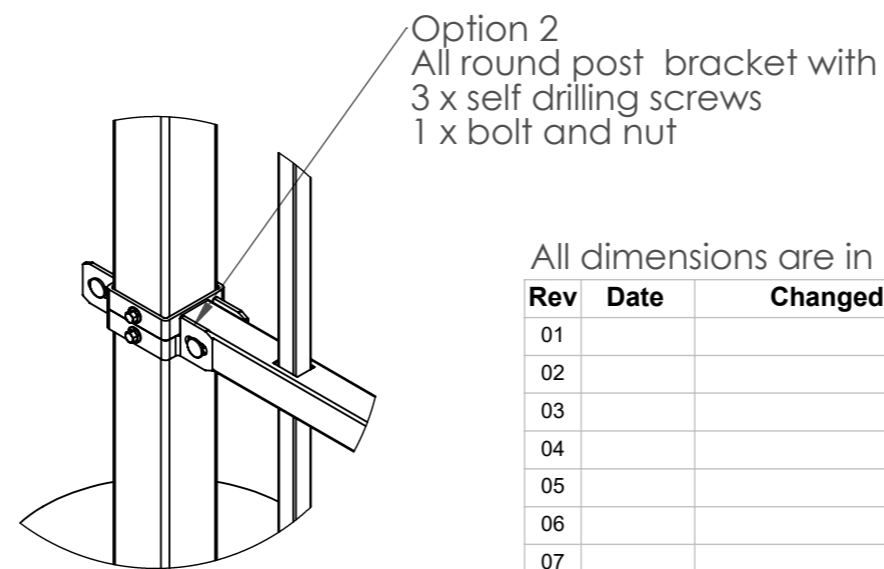
Pickets 5/8 TS 18g/  
20 per panel

Ø 9.00

Varies



Option 1  
U bracket with  
1 x self drilling screw  
1 x bolt and nut



Option 2  
All round post bracket with  
3 x self drilling screws  
1 x bolt and nut

DETAIL A  
SCALE 1 : 5

DETAIL B  
SCALE 1 : 5

All dimensions are in inches

Rev	Date	Changed	By	Material	Mass	Spec
01					147.76 Kg	
02						<b>TRV-P-RL-204</b>
03						GA Installation Drawing
04						
05						
06				<b>Status</b>		<b>Designer</b>
07				<b>Status by</b>		<b>Date</b>
				Free form- and placetolerances conform ISO 2768 m	DIN A3 Scale 1:20	<b>A000000205</b>



THIS DRAWING AND THE RELATED INFORMATION IS AND REMAINS THE EXCLUSIVE PROPERTY OF BETAFENCE WITHOUT THE PRIOR WRITTEN CONSENT OF BETAFENCE. THIS DRAWING AND THE RELATED INFORMATION MAY NEITHER BE COPIED OR REPRODUCED, NOR COMMUNICATED IN ANY WAY TO A THIRD PARTY, NOR USED FOR MANUFACTURING OUTSIDE BETAFENCE EACH INFRINGEMENT OF THESE INTELLECTUAL PROPERTY RIGHTS OF BETAFENCE SHALL GIVE RISE TO LEGAL PROCEEDINGS.